
ASSESSMENT OF THE ENERGY DEMAND OF A PROTOTYPE STAND-ALONE OXYGEN GENERATOR USING MIEC MEMBRANES

Ralf Kriegel^a, Hannes Richter^a, Heinrich Klefenz^b, Ingolf Voigt^a

^aFraunhofer IKTS, Michael-Faraday-Str. 1, 07629 Hermsdorf,

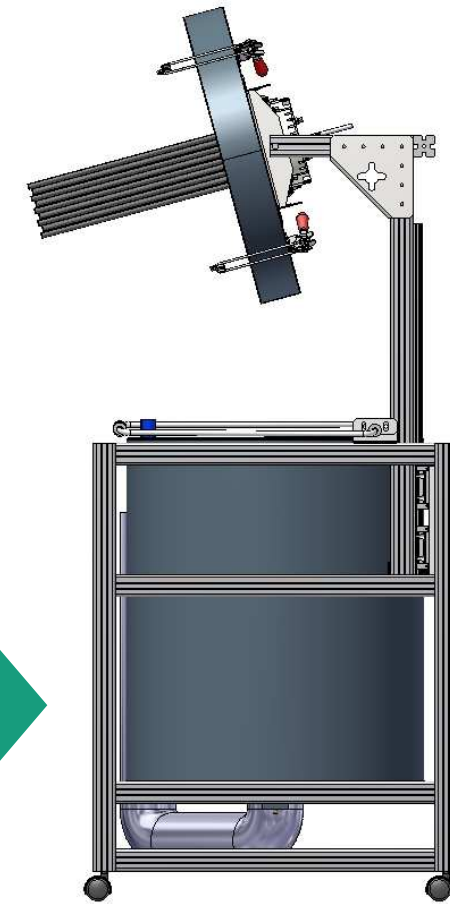
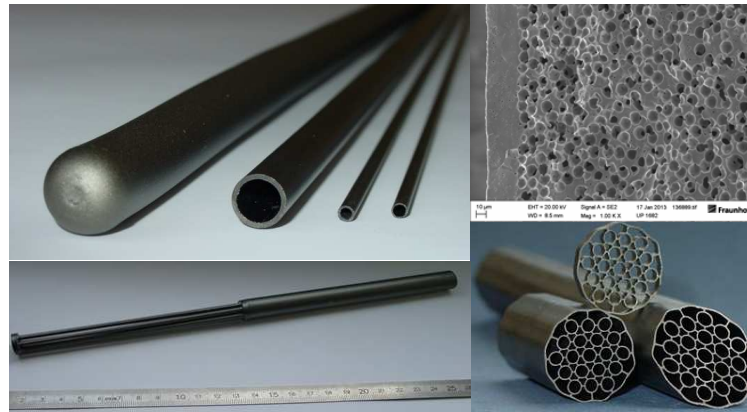
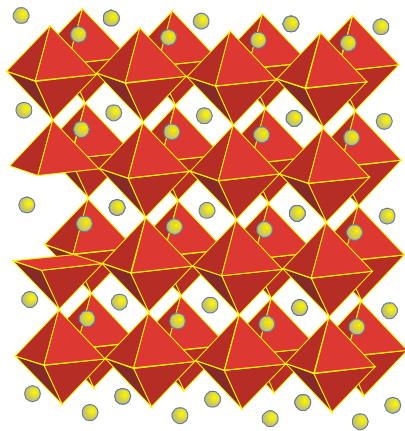
^bRTM, Hauptstrasse 35, D-76879 Bornheim



www.ikts.fraunhofer.de

OUTLINE

1. 1st and 2nd demonstration Unit
2. Calculation of Oxygen Permeation
3. Operating conditions of O₂ Production
4. Next generation prototype
5. Economic evaluation
6. Summary and Outlook





For the complete presentation and additional information please contact:

RTM Resources +Technologies-Management
Dr. Heinrich Klefenz
Hauptstraße 35
76879 Bornheim / Germany

Tel.: +49 (0)6341 969 6881
Mobil: +49 (0)175 24 29 032
Fax: +49 (0)6341 969 6883
E-Mail: info@rtm-hkl.com